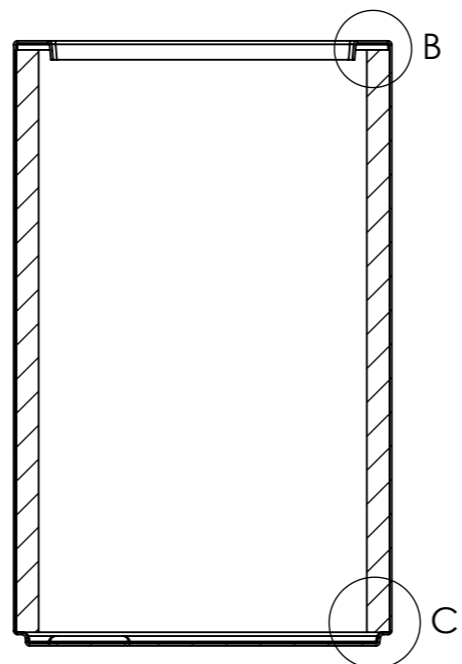
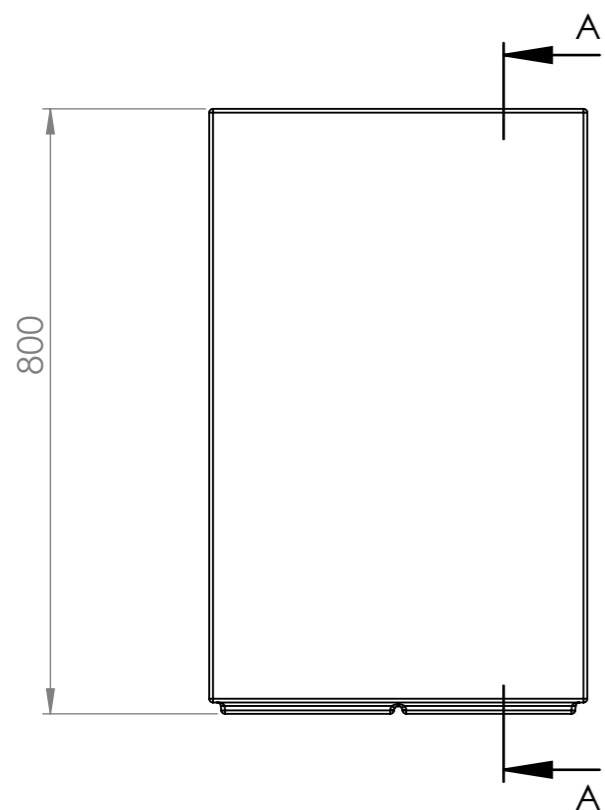
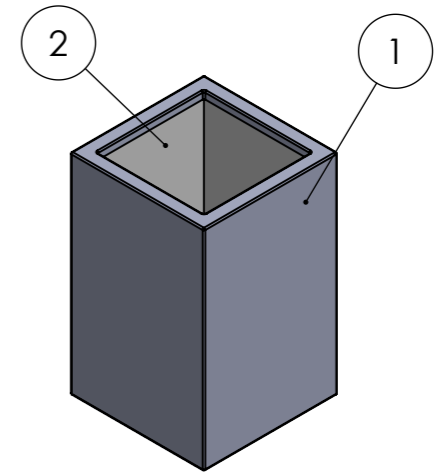
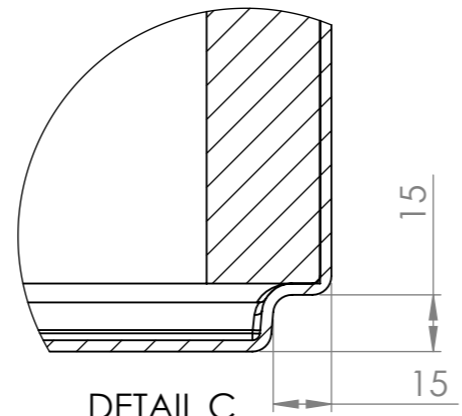
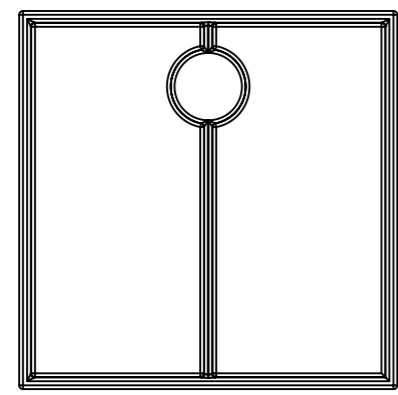
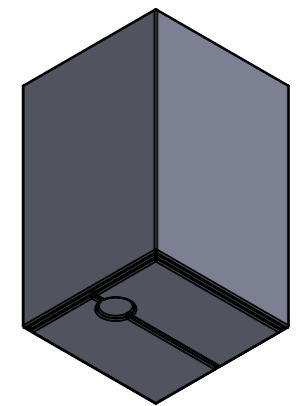


DETAIL B
SCALE 1 : 2



SECTION A-A
SCALE 1 : 10



DETAIL C
SCALE 1 : 2

ITEM NO.	PART NUMBER	DESCRIPTION	QTY.
1	PB9.1 Polyester		1
2	PB9.1 EPS60		4

DRAWN	Joris Koppens	DATE	3-10-2019
REVISION			



Liessentstraat 4, 5405 AG Uden (NL).
 † 0031 (0)413 - 27 41 68.
 e info@adezz.com, i www.adezz.com

TITLE:		3mm Fibreglass	
Drawing:	PB9.1 500x500x800	A3	
Color:	-	Mass (kg):	
SCALE:1:20		SHEET 1 OF 3	